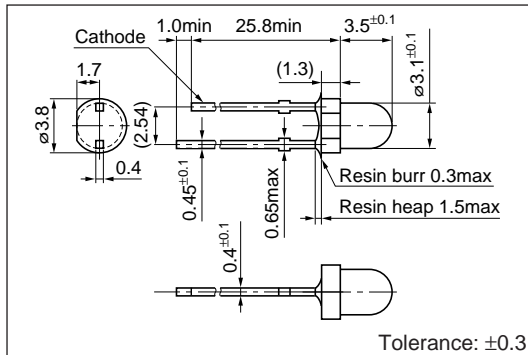


3 ϕ Round Infrared LED

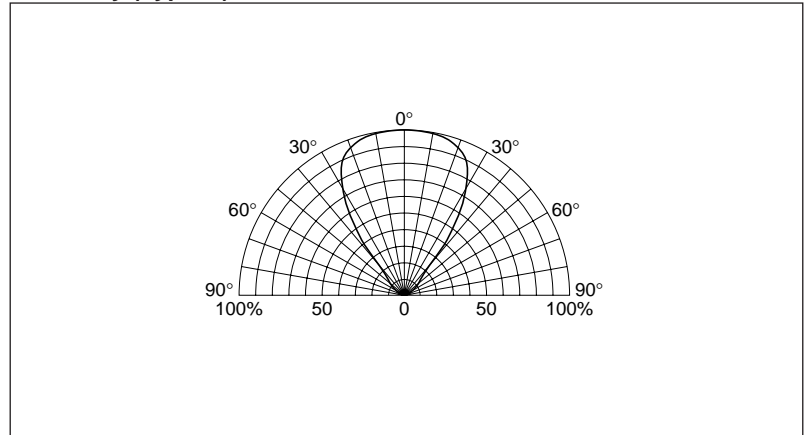
SID2010 Series

External Dimensions

(Unit: mm)



Directivity (Typical)



Absolute maximum ratings (Ta=25°C)

Symbol	Unit	Rating	Condition
I_F	mA	150	
ΔI_F	mA/°C	-1.33	Above 25°C
I_{FP}	mA	1000	f=1kHz, $t_w \leq 10\mu s$
V_R	V	5	
Top	°C	-30 to +85	
Tstg	°C	-30 to +100	

Electrical Optical characteristics (Ta=25°C)

Part Number	Lens color	Forward voltage		Reverse current		Optical Power		Peak wavelength		Spectrum half width		Chip material	
		V_F (V)		I_R (μA)	Condition V_R (V)	I_e (mW/sr)	Condition	λ_P (nm)	Condition I_F (mA)	$\Delta\lambda$ (nm)	Condition I_F (mA)		
		typ	max										Condition I_F (mA)
SID2010C	Clear	1.3	1.5	50	10	5	7.0	$I_F=50mA$	940	50	50	50	GaAs
SID2K10C	Clear	1.3	1.5	50	10	5	14	$I_F=50mA$	940	50	50	50	